



On-Premises Softmount Washer-Extractors

SY65, SY80, SY105, SY135

Features

- Freestanding, high spin (up to 1165 RPM – SY65, SY80)
- Stainless steel top front panel, side panels
- Stainless steel drum and tub
- QED Select – fully programmable
- Patented soap hopper
- Large drain valve (Ø 76 mm)
- Easy access to all vital parts from the front
- Large door opening for easy loading and unloading
- Perforated lifting ribs: more mechanical action and lower water consumption
- Eco washing programs – significantly reduces water and electricity consumption

Options

- Coin operated
- USB plug and Network cable connection (on the back panel)
- Liquid soap connection
- Liquid soap pumps
- Water recovery kit
- Steam heating version
- Drain pump (SY65, SY80)
- 3rd water inlet
- QED Assist – Laundry management software



Control panel (QED Select)



Easy Operation



Ergonomical Construction



Large Door Opening



Low Water Consumption

On-Premises Softmount Washer-Extractors



Specifications

	SY65	SY80	SY105	SY135
INNERDRUM				
Maximum capacity 1:10 [kg/lb]	6.5/14	7.5/20	10.5/25	13.5/30
Volume [l]	65	75	105	135
Diameter [mm]	530	530	620	620
DRUM SPEED				
Wash [rpm]	49	49	49	49
Extraction [rpm]	1165	1165	1075	1075
G-factor	400	400	400	400
HEATING				
Electricity (standard) [kW]	3/4.6/6/9	3/4.6/6/9	3/4.6/6/9/12	4.6/9/12
Steam [bar]	1 – 8	1 – 8	1 – 8	1 – 8
Hot water [°C]	90	90	90	90
Sound pressure level [dB (A)]	<65	<65	<65	<65
Water valves connection [BSP]	¾"	¾"	¾"	¾"
Water pressure [kPa]	100 – 800	100 – 800	100 – 800	100 – 800
Rec. water pressure [kPa]	300 – 500	300 – 500	300 – 500	300 – 500
Water inlet [l/min]	20	20	20	20
Drain valve [outer Ø mm]	76	76	76	76
Flow amount with drain valve [l/min]	210	210	210	210
Steam valve connection [BSP]	½"	½"	½"	½"
Steam pressure [kPa]	100 – 800	100 – 800	100 – 800	100 – 800
DIMENSIONS				
Size HxWxD [mm]	1115x710x740	1115x710x790	1225x795x795	1225x795x945
TRANSPORT DATA				
Gross Weight [kg]	180	200	235	275
Net Weight [kg]	170	185	210	255
Packaging Dimension HxWxD [mm]	1245x750x840	1245x750x840	1345x835x840	1345x835x985

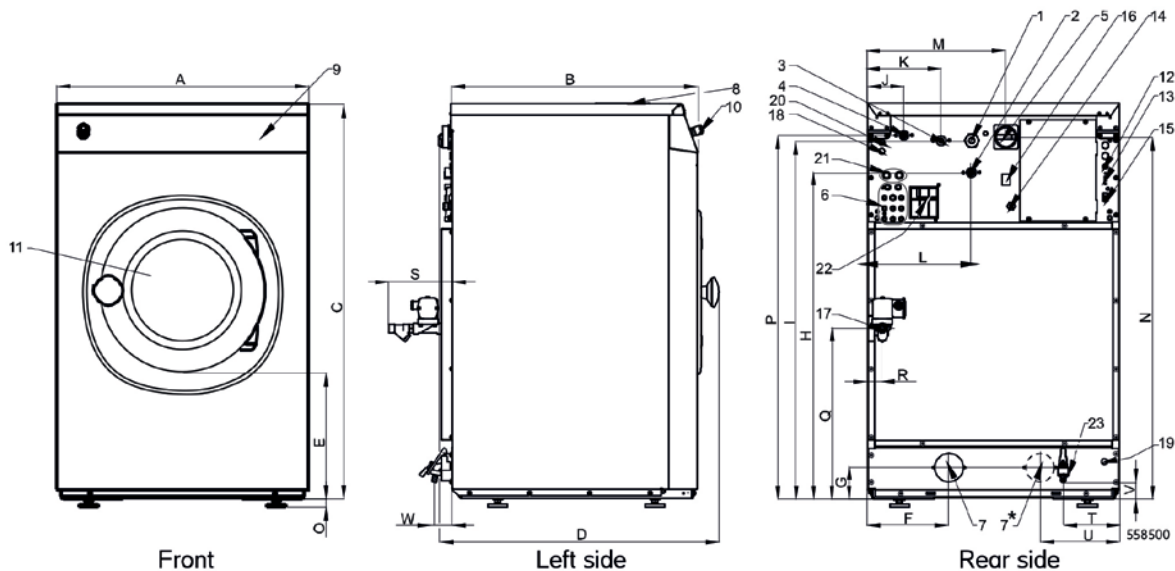
On-Premises Softmount Washer-Extractors

Dimensions

	A	B	C	D	E	F	G	H	I	J	K	L	M	N	O	P	Q	R	S
SY65	710	646	1115	740	349	230	82	914	1004	113	218	293	390	1020	24	1019	480	42	180
SY80	710	696	1115	790	349	230	88	920	1010	113	218	293	390	1020	24	1025	480	42	180
SY105	795	696	1225	795	342	230	88	1030	1120	113	218	293	475	1130	24	1135	506	42	180
SY135	795	846	1225	945	342	230	88	1030	1120	113	218	293	475	1130	24	1135	506	42	180

	T	U	V	W
SY65	203	-	67	48
SY80	203	-	67	48
SY105	203	274	67	48
SY135	203	274	67	48

All measurements are in mm.



- 1 Electrical connection
- 2 Hot water
- 3 Cold water hard
- 4 Cold water soft
- 5 Main switch
- 6 Connection liquid soap
- 7 Drain: drain valve (pump), 1 × \varnothing 76 mm
SY280 – drain valve or recycle valve, 1 × \varnothing 76 mm (on request)
- 8 Soap dispenser
- 9 Control panel
- 10 Button CENTRAL STOP
- 11 Door opening:
SY65 and SY80 – \varnothing 330
SY105 and SY135 – \varnothing 410
- 12 Fuses
- 13 USB port
- 14 Electrical connection to liquid soap pumps
- 15 PC programming connection (RS485)
- 16 Heating change-over switch (electrical heating, steam heating)
- 17 Steam connection (steam version) $\frac{1}{2}$ ++
- 18 Steam valve connection (steam version)
- 19 Inlet of cable for discharge of water into the water recycle
- 20 Cable inlet – cable for control of the valve or pump of water from the water recycle
- 21 Inlet of water from the recycle (external diameter 19)
- 22 Air relieve
- 23 Drain valve $\frac{1}{2}$ " , applicable for wash bath sample (on request)